

# Specifications

Model	S-80	
Height, working maximum	86 ft	26.2 m
Height, platform maximum	80 ft	24.4 m
Height, stowed maximum	9 ft 2 in	2.79 m
Horizontal reach maximum	72 ft 5 in	22.1 m
Width, axles retracted	8 ft	2.44 m
Length, stowed	37 ft 3 in	11.35 m
Maximum load capacity 6 foot platform	600 lb	272 kg
Maximum load capacity 8 foot platform	500 lb	227 kg
Maximum load capacity with foam-filled tires and proper counterweight configuration	750 lb	340 kg
Maximum wind speed	28 mph	12.5 m/s
Wheelbase	9 ft 0 in	2.7 m
Turning radius (outside)	23 ft	7.0 m
Turning radius (inside)	10 ft 8 in	3.3 m
Turntable tailswing	3 ft 8 in	1.12 m
Turntable rotation (degrees)	continuous	
Controls	12V DC proportional	
Platform dimensions, 6 foot (length x width)	72 in x 30 in	1.8 m x 76 cm
Platform dimensions, 8 foot (length x width)	96 in x 36 in	2.4 m x 91 cm
Platform leveling	self-leveling	
Platform rotation	160°	
AC outlet in platform	standard	
Hydraulic pressure, maximum (boom functions)	3000 psi	207 bar

**Continuous improvement of our products is a Genie policy. Product specifications are subject to change without notice or obligation.**

System voltage	12V	
Tire size	15-22.5 SAT	
High flotation tire size	41/18LL x 22.5, 14 ply	
Ground clearance	11 in	28 cm
Fuel tank capacity	33 gallons	125 liters
Weight (Machine weights vary with option configurations)	See Serial Label	
Airborne noise emissions Maximum sound level at normal operating workstations (A-weighted)	80 dB	

## Drive speeds

Drive speed, stowed	3.5 mph 40 ft/7.8 sec	5.6 km/h 12.2 m/7.8 sec
Drive speed, raised or extended	0.68 mph 40 ft/40 sec	1.1 km/h 12.2 m/40 sec

## Maximum slope rating, stowed position, 2WD

Counterweight uphill	30% (17°)
Counterweight downhill	15% (9°)
Side slope	25% (14°)

## Maximum slope rating, stowed position, 4WD

Counterweight uphill	45% (24°)
Counterweight downhill	30% (17°)
Side slope	25% (14°)

Note: Slope rating is subject to ground conditions and adequate traction.

## Floor loading information

Tire load, maximum	16,000 lbs	7255 kg
Tire contact pressure	100 psi	7.03 kg/cm <sup>2</sup> 689 kPa
Occupied floor pressure	282 psf	1377 kg/m <sup>2</sup> 13.5 kPa

Note: Floor loading information is approximate and does not incorporate different option configurations. It should be used only with adequate safety factors.



## SPECIFICATIONS

<b>Model</b>	<b>S-85</b>	
Height, working maximum	91 ft	27.7 m
Height, platform maximum	85 ft	25.9 m
Height, stowed maximum	9 ft 2 in	2.79 m
Horizontal reach maximum	77 ft 5 in	23.6 m
Width	8 ft	2.44 m
Length, stowed	40 ft 7 in	12.4 m
Maximum load capacity 6 foot platform	500 lb	227 kg
Maximum load capacity 8 foot platform	500 lb	227 kg
Maximum wind speed	28 mph	12.5 m/s
Wheelbase	9 ft 0 in	2.7 m
Turning radius (outside)	23 ft	7.0 m
Turning radius (inside)	10 ft 8 in	3.3 m
Turntable tailswing	3 ft 8 <sup>1</sup> / <sub>2</sub> in	1.13 m
Turntable rotation (degrees)	continuous	
Controls	12V DC proportional	
Platform dimensions, 6 foot (length x width)	72 in x 30 in 1.8 m x 76 cm	
Platform dimensions, 8 foot (length x width)	96 in x 36 in 2.4 m x 91 cm	
Platform leveling	self-leveling	
Platform rotation	160°	
AC outlet in platform	standard	
Hydraulic pressure, maximum (boom functions)	3000 psi 207 bar	

**Continuous improvement of our products is a Genie policy. Product specifications are subject to change without notice or obligation.**

System voltage	12V	
Tire size	15-22.5 SAT	
High flotation tire size	41/18LL x 22.5, 14 ply	
Ground clearance	11 in	28 cm
Fuel tank capacity	33 gallons	125 liters
Weight (Machine weights vary with option configurations)	See Serial Label	
Airborne noise emissions Maximum sound level at normal operating workstations (A-weighted)	80 dB	

**Drive speeds**

Drive speed, stowed	3.5 mph 40 ft/7.8 sec	5.6 km/h 12.2 m/7.8 sec
Drive speed, raised or extended	0.68 mph 40 ft/40 sec	1.1 km/h 12.2 m/40 sec

**Maximum slope rating, stowed position, 2WD**

Counterweight uphill	30% (17°)
Counterweight downhill	15% (9°)
Side slope	25% (14°)

**Maximum slope rating, stowed position, 4WD**

Counterweight uphill	45% (24°)
Counterweight downhill	30% (17°)
Side slope	25% (14°)

Note: Slope rating is subject to ground conditions and adequate traction.

**Floor Loading Information**

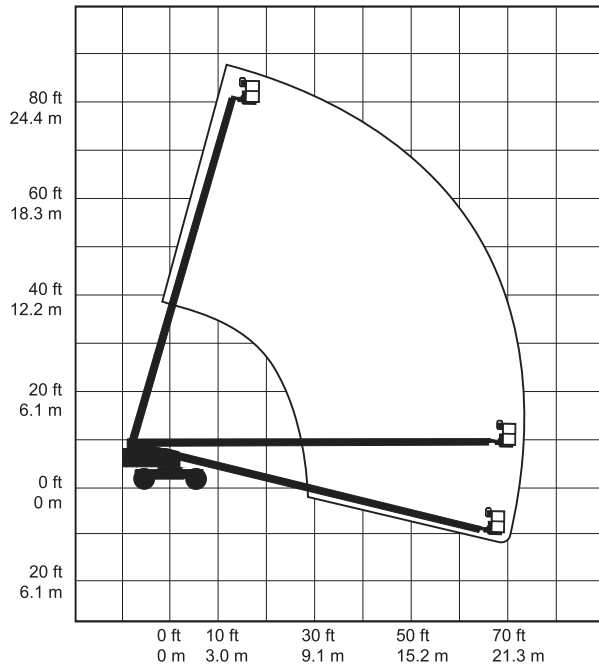
Tire load, maximum	18,000 lbs	8165 kg
Tire contact pressure	100 psi	7.03 kg/cm <sup>2</sup> 689 kPa
Occupied floor pressure	301 psf	1469 kg/m <sup>2</sup> 14.42 kPa

Note: Floor loading information is approximate and does not incorporate different option configurations. It should be used only with adequate safety factors.



SPECIFICATIONS

S-80 Range of Motion Chart



S-85 Range of Motion Chart

