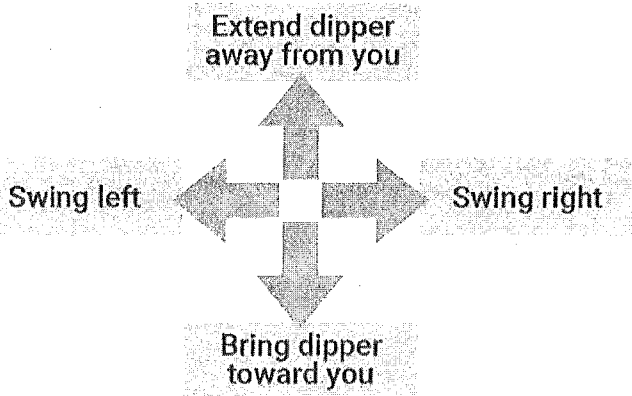


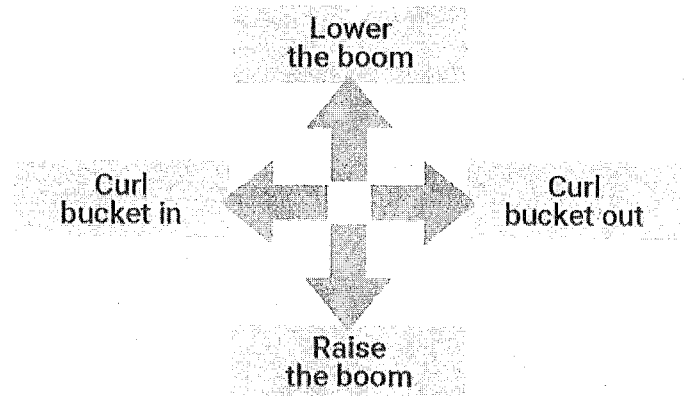
ISO vs. SAE CONTROLS

ISO (CAT/EXCAVATOR)

DIPPER & SWING

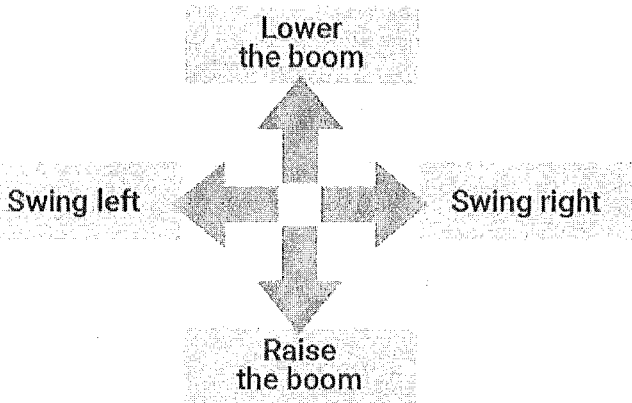


BOOM & BUCKET

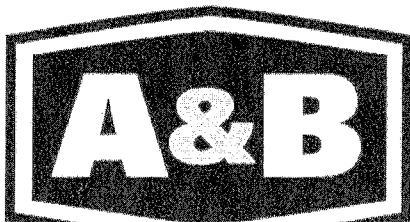
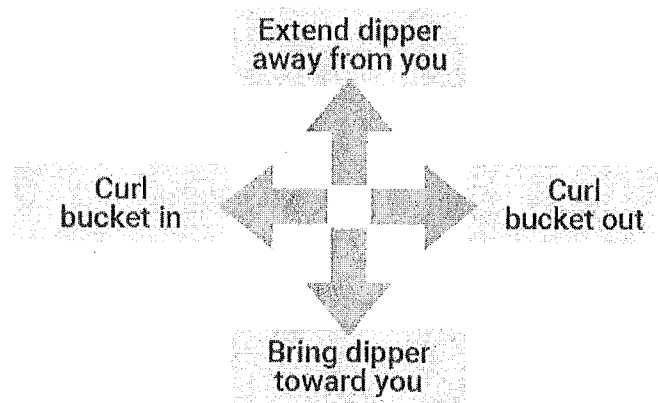


SAE (DEERE/BACKHOE)

BOOM & SWING



DIPPER & BUCKET



Tool RENTALS Ltd.

10498 King George Hwy Surrey, BC V3T 2W9

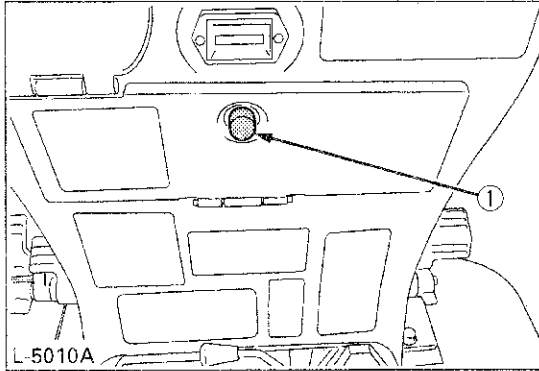
www.abtoolrentals.com

T 778 667 7000 F 778 667 7007

◆ Pattern Change

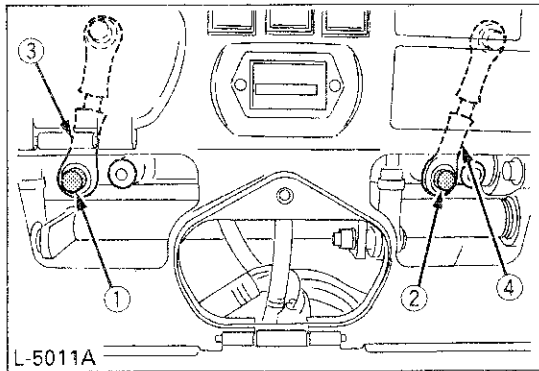
Switching from [Pattern A] to [Pattern B]

1. Stop the engine and place the front attachment on the ground. Release pressure out of the cylinders.
2. Turn the knob on the control box to open the cover.



(1) Knob

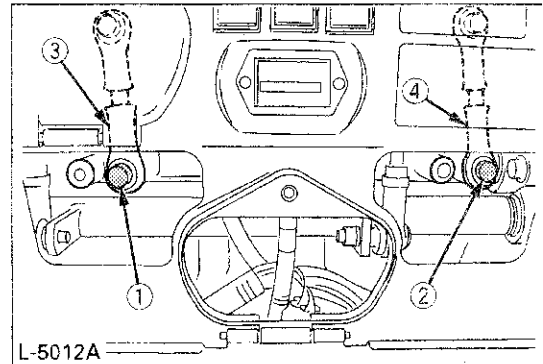
3. Remove the bolts (1) and (2).



(1) Bolt1
(2) Bolt2

(3) Joint(C)
(4) Joint(D)

4. Shift the joints (C) and (D) to the right, and apply and tighten up the bolts (1) and (2).



(1) Bolt1
(2) Bolt2

(3) Joint(C)
(4) Joint(D)



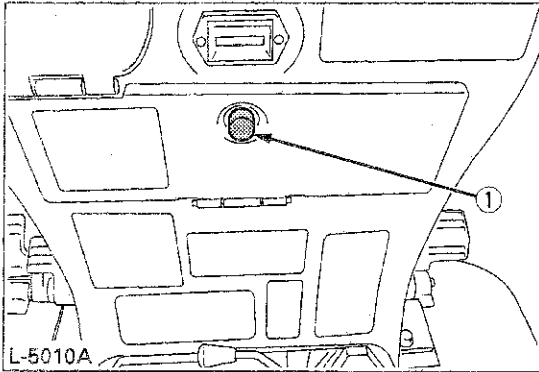
CAUTION

To avoid personal injury:

- The bolts (1) and (2) are of special type. Do not use general bolts, because otherwise the machine may malfunction and get damaged.

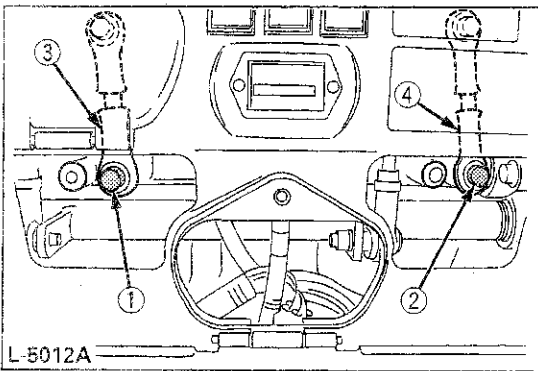
Switching from [Pattern B] to [Pattern A]

1. Stop the engine and place the front attachment on the ground. Release pressure out of the cylinders.
2. Turn the knob on the control box to open the cover.



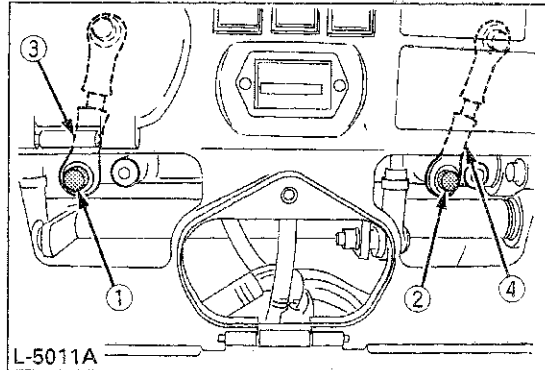
(1) Knob

3. Remove the bolts (1) and (2).



(1) Bolt1 (3)Joint(C)
(2) Bolt2 (4)Joint(D)

4. Shift the joints (C) and (D) to the left, and apply and tighten up the bolts (1) and (2).



(1) Bolt1 (3)Joint(C)
(2) Bolt2 (4)Joint(D)



CAUTION

To avoid personal injury:

- The bolts (1) and (2) are of special type. Do not use general bolts, because otherwise the machine may malfunction and get damaged.

